

μāÇá Óyó ÓÑ# SéÑ# Óyú# #00

' » G p d Ž * • +± €N g L< &/ !A Õ È ' N

½ Š " βw0 wM%É βw0 w?! "- β

%ž-D GT " 7Wš " K•"K,>->-¶ œ@!@+ 0ž,>- , A O'N g @@Í; A O' - \ /8 È O'Ñ "K,>->-¶ œ@!@o

...œ@Áμ & €N g U • Dž8 Z!A Õ i • C " %öMA Õ • > N, : o P KcA X 6 g L<3i TE È' T wý ' 3 - .úFôUGp d Ž * • & €N g!A Õ i • E=y' N'] @±±æ" w à 3 €N g L< &/ • Dž8+±A Õ È ' NK MÅ NÅu4 ' 3 ' » G p d Ž * • N, 4 ±±± €N g!A Õ 2(• N, 6* L üE (< &/ ' L< &/ +±A Õ È ò â &c; A 3óø3ú3 Gp , • d Ž * • i •] @fn /8 £ Ö) 3 ±€™< - ; E@Á 3 ½> Ç 3 - 3öN, 4 ± wLE@ò) 4D™ Ä] h € } 42(Z±± !A Õ i • GM!< N, 4 È=•; w æ" L-M± • ,% +±A Õ i • ± €N, 4 ± w* L Ä] ó-> üE (< &/ ' L< &/ • ä . 8±± €N g!A Õ È N,

œ@| œ@Á €N g G p d Ž * • ' N L< &/ • GM!< i •] @Í
Z + 31" \$ ÁÆR0žBœœœ' ([4 - . Áöœœœ' 0 4C\$ Á! !!K@ %! β o! 0K 0R3K

œœ €N g6* L h Õ f !A Õ C • E/ Á : 9±±
N=y(Ü ° CN=y(Í %3üDôA/£ " ; Í N g+±<
&/ • 6 V » ý P N g+±Ä • Õ6* È %o - Ä Ô
M@* È o'6* L ! 6 u] 1 = (Í >ñ? %%, x 8 "
Å g5) €N g±± • Fú! T " ! Í 6 V » ý P
N g+±g Õ T 1 | ± T " ý P N g+±4) 5 T6* %
' 6 >@K lμ &L< &/ • BB±±A Õ È 1 Õ È
" ú Á! TE=y-A/£ %A 3ó+±A Õ N, UN=y, ,L
1 Ôc2(4 @@ÍZ • , mL< e Fú@±±*U" €N
g • Dž8 Z!A Õ! T ! Í : o " ' " - , ' /ø1ë
ó+±A Õ È • " N, 7 Fú@% • Dž8 Z!A Õ i
• u(Ý g%±±<3i T βKÖ" Q £ \ UL< &/ • # "
õ G7 > È Í - W • i • " !A Õ i • +± C>ñ,
k Ä! g : o 1 Kë üE " !A Õ • > N, : o & Kc
A X 6 g L<3i T %, z lμ & €N g±±A/£ ' ([Z
UE=y!A Õ È ' N# G • > ý i ±±æ" !o? E 4
• 'ä . +±A Õ È KÖ%A æ" : 6* Ä- • i •
; !A Õ 2(• x K!+±± € * • 2(" @ĐÁ1ë Ó ÇKë
@í" " Ä] • Dž8+±P 1ë Ó!A Õ N, %
e*U+±A Õ È • " N, 63i T!A Õ N, 1 GM!
< N, %£ Z GM!< N, \ 3i T N, ±±! Ò Ò - "
U - Ç80! 2 6* LD°a] üE L<3i T u Á "s £ Dp

i 6* È μ T/8 Ó K} » KcNE6 % » \ " 52 õ p
; 3 GM!< d Ž * • " *U{ KcM! μ a] Ei Dp1
.úL<3i T "E@ðÉ Í 7-%æ È Í GM!< â • "ú59ý
P Dpi 6* È °% ' ([ß! Ôô*U GM!< d Ž * • -A
/£ D" , N g U ^ EL@ðê^ ELg+±A Õ È • " N, %
GM!< d Ž * • N, ; GM!< N, - dL->@M±@N
, KcN"E6 : 5E/ ú&cG6D°TA "A " 5
• ž • > °%Dpi ' " " 52 -A/£ 3 - .ú*^ \ - Ü
" GM!<3ñ=++G p d Ž * • βKÖ" £ 3A æ" *U
» i • D@ö βKÖ" %A/£=•; "A æ" *U » N=y • !A
ÕD@6* L Ä] P 1ë Ó+±A Õ È N, βKÖ%
Y ' ý ' 3 - .úFôUGp d Ž * •)3@£ =y
€N g!A Õ È ' N±±æ" %A æ" L-M±Q ± €N
, 4 ± "E@ð • > 5, ! Ò Ä] 3 • i • 1 !A Õ
2(• x K!+±± € * • 2("6* L Ä] A 3óüE €
N g (< &/ ' L< &/ • ä . 8±±A Õ È N, %

Ŧ G p d Ž * • ' -m)3 @ç

Y70->@ø3úG p d Ž * • ' -m)3 @ç βKÖ" β Ö%

ÓÚ BUð } 42(

, • \ 3ñ = G p d Ž * • ±±' Y , p % , - " 1 p , • \ - W6 >ÿ • "6 p , • - W\ L • € % p , • t * ^ % + ßo WM% Æ Ò3ñ = "ü E - 8 á

$$t = f v_1 "v_\beta - "v_n \acute{I} \quad \% \beta o$$

æœ; , • ' E ±±mF } 42(/ gBUð } 42(%BU ð } 42(7 ±±ü - W%æ = %oß "x_0" - "x_n oF* * ^ , • t ±±M%æ pFúì T, %í Ä] "ü E - 8 á

$$x = \sum_{i=1}^n \textcircled{R} b_i v_i "æ \sum_{i=1}^n \textcircled{R} b_i = \beta \quad \% \beta o$$

æœ n p , • t Z (, - %æ±BUð } 4 b %o = %o_1 " b_\beta - "b_n o * ^ 8 < @DÄÄ] á

$$\begin{bmatrix} b_\beta \\ b_0 \\ \acute{E} \\ b_n \end{bmatrix} = \% \beta o - v_1 o æ \% \beta o - v_1 o æ - \% \beta o - v_1 o \acute{O}^\beta \frac{1}{4}$$

$$æ \% o - v_1 o = \Delta \% o - v_1 o \quad \% o o$$

$$b_1 = \beta - \sum_{i=\beta}^n \textcircled{R} b_i \quad \% \times o$$

ÓÚ d Ž * • 1 d Ž / § K!

6 >ÿ "x FÜ Γ \ 3 - Wg ? 3 g J WL < Ñ ö , % E ±± , • "ü E - 8 á

$$\Gamma \acute{a} = \sum_{i=\beta}^J t_i "æ_i 2 t_j \acute{a} \times \hat{A} W æ F t_i "t_j \acute{a} \Gamma \% o$$

< Z "DæE , • t \acute{A} g k p , • " ! j k j n - \beta %

4 Ç - Wg E ð ð 6 >ÿ "x FÜ Ä] J W , • " ü - W , • t_j t * ^ 4! Ó g d ±± GM! < p^t_j %o ü E "6 & "M @ E 4 Ž # 3ñ 5 = G p d Ž * • s %o á

$$s \% o = \sum_{j=\beta}^J \textcircled{R} \delta_j \% o \varphi^t_j \% o "æ_j \% o = \begin{cases} \beta "æ \acute{a} t_j \\ ! "æ \times t_j \end{cases} \quad \% o o$$

æœ d Ž / § K! \ 4 U 6 >ÿ "x FÜ Γ g ^ 2 "4 Ç 4! Ó d 1 E 4 Kc • C^r ±±m 6 d Ž * • s ±±Kó 5 %

$$S_d \% o \acute{o} = \times \acute{a} C^r \% o \acute{o} \Big|_t \acute{a} P_d "F t \acute{a} \Gamma W \quad \% \beta o$$

< Z "P_d 4 m 6 4! Ó g d ±± GM! < Kó 5 %

ÓÚ t ' , • s - B

BUð } 4 b %o = %o_1 "b_\beta - "b_n o Æ = 4! Ó g d ±± \ - Ü " GM! < • < - 8 á

$$B_\kappa^d \% o \% o = \frac{d J}{\kappa_1 J \kappa_\beta J - \kappa_n J} b^{\kappa_1} b^{\kappa_\beta} - b^{\kappa_n} \quad \% o o$$

æœ G p 2 (• \kappa Ç v - 8 á

$$\kappa = \% o_1 " \kappa_\beta - " \kappa_n o \acute{a} N^{n+\beta} \quad \% o o$$

$$æœ \kappa \pm \beta - 80 \cdot g \acute{a}$$

$$|\kappa| = \kappa_1 + \kappa_\beta + \dots + \kappa_n = d "d \quad ! \% \beta o$$

$$æœ \kappa \pm \kappa c \dots \textcircled{C} v - 8 \acute{a}$$

$$\kappa J = \kappa_1 J \kappa_\beta J - \kappa_n J \quad \% \beta \beta o$$

$$æœ \kappa \pm m 6 3ñ 5 6 \& " @ \textcircled{U} \acute{z} \frac{1}{4} " \acute{z} \frac{1}{4} " \acute{z} D M \textcircled{S} \frac{1}{4} - 8 \acute{a}$$

$$\kappa \acute{a} \times \% o " ! " ! - " ! o " \% o - \beta " \beta " ! - " ! o "$$

$$æ \% o - \beta " ! " \beta - " ! o - " \% o - " ! " \beta " d - \beta o "$$

$$æ \% o - " ! " ! " d o W \quad \% \beta o o$$

$$æœ \kappa \pm m 6 3ñ 5 \cdot F \acute{u} \hat{d} g \acute{a}$$

$$\hat{d} = \frac{\% o + n o J}{n J d J} \quad \% \beta o$$

$$æœ \textcircled{C} 6 >ÿ "x F \acute{u} \Gamma " (, G M! < t \acute{A} E = - 8$$

$$\cdot < \acute{a}$$

$$p^t_j \% o \% o = \sum_{|k|=d} \textcircled{R} B_\kappa^d \% o \% o \alpha^t_j \quad \% \beta \times o$$

$$æœ \% \beta \times o < g G p d \acute{Z} * \cdot \pm \pm > K \cdot \acute{d} \cdot < " c^t_j g$$

$$> \textcircled{Z} (\cdot \% > \textcircled{Z} (\cdot \quad \acute{u} E g 8 - F \acute{u} \cdot < \acute{a}$$

$$c^t_j = c^t_j \acute{O}_{\kappa l=d} \acute{a} t^{\hat{d} \times \beta} \quad \% \beta " o$$

$$æœ \acute{Y} G M! < 6 \& " \kappa \pm \pm 3ñ 5 \acute{z} D \acute{u} E g - F \acute{u}$$

$$\cdot < \acute{a}$$

$$B^d \% o \% o = B_\kappa^d \% o \% o \acute{O}_{\kappa l=d} \acute{a} t^{\beta \times \hat{d}} \quad \% \beta o$$

$$æœ \acute{e} f \rangle \% \beta o^1 \% \beta o < " \% \beta \times o < \pm \pm F \acute{u} \cdot < \acute{u}$$

$$E - 8 \acute{a}$$

$$p^t_j \% o \% o = B^d \% o \% o \alpha^t_j \quad \% \beta \beta o$$

$$æœ > \textcircled{Z} (\cdot \pm \pm m - F \acute{u} c \acute{u} E - 8 \acute{a}$$

$$c = c^t_\beta \alpha^t_0 \alpha^t_j \acute{O} \acute{a} t^{J \hat{d} \times \beta} \quad \% \beta o$$

$$æœ \acute{Y} G M! < \pm \pm \cdot m - F \acute{u} \acute{u} E - 8 \acute{a}$$

$$B^d \% o \% o = B_{t_\beta}^d \% o \% o \alpha^t_{t_0} \% o \% o \alpha^t_j - æ$$

$$\alpha^t_{t_j} \% o \% o \acute{O}_{\kappa l=d} \acute{a} t^{\beta \times J \hat{d}} \quad \% \beta o$$

$$æœ \acute{e} f \rangle \% o o^1 \% \beta \beta o < " \beta 3ñ \acute{i} "x i \% o \% o "y \% o o$$

$$* U > K \cdot \acute{d} G M! < ' \acute{u} E - 8 \acute{a}$$

$$y \% o = \sum_{j=\beta}^J \textcircled{R} B^d_{t_j} \% o \% o \alpha^t_j + \varepsilon \% o \quad \% \beta o$$

$$f \rangle \% \beta o^1 \% \beta o < " \% \beta o < \pm \pm F \acute{u} \cdot < \acute{u} E$$

$$- 8 \acute{a}$$

$$y \% o = B^d \% o \% o \alpha^t_j + \varepsilon \% o = X \% o \alpha^t_j + \varepsilon \% o \quad \% \beta \beta o$$

$$æœ \textcircled{C} 4 7 " \& \gg m 6 > \acute{i} "x i " d \acute{Z} * \cdot \pm \pm i T \cdot N$$

$$\acute{u} E - 8 \acute{a}$$

$$Y = Xc + \varepsilon \acute{a} t^{N \times \beta} \quad \% \beta o o$$

Ů#E 4 Ž #

EDô6>y"xFüU4 Ç g Ä] J W , • " 1 ,
• xK!,%EèDæExK!+±E 4 TEĐE 4 Ž # ' 3Ó
œ%4 ÇE 4 Kc• g C' # "ü W,%EèDæE+±E 4 Ž
W• R 6 8 <@ĐÄÄ] â

$$R = \textcircled{R} \frac{\%l - m - n - \beta o J}{\%o - \beta o J \ \%o - m o J} \quad \%o \ o$$

œœÇ v H g #p- Kb" Ä] • mg ² +±E
4 Ž # æ/8 â

$$Hc = " H â t^{R/E \times P/\hat{u}} \quad \%o \times o$$

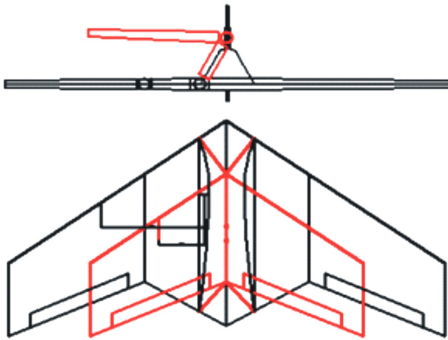
< Z " J g , • W• "E g , • ± ± %EèDæEW• "d ¹

R 3 X*^ %B o¹ %o o< Ä] %

#‡ ' » Gp d Ž * • ± ± A Õ È N ,

#Ž† , N ,

ý , Å g5) ∈ N g g , " Å â ,
(> 7 Å ßo!|"9 # C â g5) ø3ö . la " C
• - + ßm.g "15) â±±h>® , i • - = ßm.g %



+ ßœÄ g5) ∈ N g N , L• +

= • Ů† 15) â±±h>® , i •

	, i •	g CœÄ	Å â	C â
5) â , J- đ	! Ž!	! Ž!	! Ž"	
i 50L•/ đ°	! Žß	! Žß	! Žß"	
f SJ- đ	! Ž!!	! Žß"	! Žž	
i SJ- đ	! Žß"	! Žž	! Žß®	
z 4E; í >y ð%o	"	"	"	

#Ž† !A Õ È N ,

-A/£4 É=• ; "U • EL(: T # " ∈ N g ± ±
!A Õ È * * L< Ç e u Á "6 ó Ç e @ĐÄ "o ð %

∈ N g ± ± A Õ È ò N g ∈ z ± ± A Õ C • ¹ N =yâ
. ž ú %/ ÇD;2(4 7 CœWD;D™Ů %œÛy œÿ Ó
; ∈D;2(Fú5 " ÇD;2(7!A Õ È ¹ È- 2(• 3 X
\ át È2(• C_L "KhÈ2(• C_D "ŌÈ2(• C_Y "\$ D™È
- 2(• C_l " È- 2(• C_m " | 7WÈ- 2(• C_n % ∈
D;2(7 ± ± A Õ È ¹ È- @ĐÄ™< - 8 â

$$F_{A^x} = Q S_w \%o_L \Rightarrow \alpha - C_D \dot{u} \alpha \ o$$

$$F_{A^y} = Q S_w C_Y$$

$$F_{A^z} = Q S_w \%o C_D \Rightarrow \alpha - C_L \dot{u} \alpha \ o$$

$$L_A = Q S_w b_w \%o_L \dot{u} \alpha - C_n \Rightarrow \alpha \ o$$

$$M_A = Q S_w c_A C_m$$

$$N_A = Q S_w b_w \%o_n \dot{u} \alpha + C_l \Rightarrow \alpha \ o \quad \%o \ o$$

< Z " Q = -\frac{\beta}{o} V^o g Ō , p g / \$! A ó Ó # g / \$ EL ð_w
g • g g5) i 50L•/ t_A g • g g5) i 50 t ! A Ō
SJ- đ_w g • g g5) i 505) , %

UL< &/ • Dô8 Z C • ¹ = ; L< &/ N =y
"E GŌ* LKqí Ō È F_{u^y} \$ D™È- L_u ¹ | 7WÈ-
N_u "° \ • i • μ = μ_ß μ_o Ō ± ± * • œð % Y
' B' WL< &/ • BB ± ± A Ō i • žqí Ō È
2(• C_{Yur} \$ D™È- 2(• C_{lur} ¹ | 7WÈ- 2(• C_{nur} " °
Ç v - 8 â

$$C_{Yur} = \frac{F_{u^y}}{\%o S_w \ o}$$

$$C_{lur} = \frac{L_u}{\%o S_w b_w \ o}$$

$$C_{nur} = \frac{N_u}{\%o S_w b_w \ o} \quad \%o \ o$$

œœ ∈ N g • Dô8 ± ± A Ō 2(• 3i T C N ,
- 8 â

$$C_L = C_{Ll} + C_{L\alpha} \ %\alpha + C_{L\delta e} \ %\delta_e$$

$$C_D = C_{Dl} + C_{di} \ %C_L^o$$

$$C_Y = C_{Y\beta} \ %\beta + C_{Y\delta r} \ %\delta_r + C_{Yur} \ %C_L$$

$$C_l = C_{l\beta} \ %\beta + C_{l\delta a} \ %\delta_a + C_{l\delta r} \ %\delta_r +$$

$$œC_{l\beta} \ %\beta + C_{l\delta a} \ %\delta_a + C_{l\delta r} \ %\delta_r + C_{lur} \ %C_L$$

$$C_m = C_{m1} + C_{m\alpha} \ %\alpha + C_{m\delta e} \ %\delta_e +$$

$$œC_{m\beta} \ %\beta + C_{m\alpha} \ %\alpha$$

$$C_n = C_{n\beta} \ %\beta + C_{n\delta a} \ %\delta_a + C_{n\delta r} \ %\delta_r +$$

$$œC_{n\beta} \ %\beta + C_{n\delta a} \ %\delta_a + C_{n\delta r} \ %\delta_r + C_{nur} \ %C_L \quad \%o \ o$$

< Z " β g Ō # > y œ g FÜßRDÛy C(+³/4³/4 ¹³/4
3 X g FÜßß \$ D™È ¹ | 7WÿELÓ ð_a ð_e ¹ δ_r

3 X g œ5) & Kz7b¹ æ>7b | >ÿ €_L! g¹ Y t È
 2(• €_{Lα}¹ C_{Lδe} 3 X g t È2(• &Dûÿ¹ t Kz7b |
 >ÿ±) • €_D!¹ C_{di} 3 X g L#t KhÈ2(•¹ t 7!Kh
 È2(• €_{ÿβ}¹ C_{ÿδr} 3 X g ÔÈ2(• & Ô#p>ÿ¹ æ>
 7b | >ÿ±) • €_{lβ} "C_{lδa} "C_{lδr} "C_{lβ¼}¹ C_{lβ¼} 3 X g \$ D T È
 - 2(• & Ô#p>ÿ &œ5) | >ÿ &æ>7b | >ÿ & FÜ3R\$
 D T ÿELÓ¹ FÜ3R | 7WÿELÓ±) • €_m! g L#t
 È- 2(• €_{mα} "C_{mδe} "C_{m¼¼}¹ C_{mα} 3 X g È-
 2(• &Dûÿ & Kz7b | >ÿ & FÜ3R >ÿELÓ¹ FÜ
 3R Dûÿ C(±) • €_{nβ} "C_{nδa} "C_{nδr} "C_{n¼¼}¹ C_{n¼¼} 3 X
 g | 7WÈ- 2(• & Ô#p>ÿ &œ5) | >ÿ &æ>7b | >ÿ &
 FÜ3R\$ D T ÿELÓ¹ FÜ3R | 7WÿELÓ±) • %
 #Û± G p d Ž * • =•Dè• <

€ ∈ N g U • Dδ8 Z . <Dûÿ¹ < Ô#p
 >ÿã . # "ú *U • - %œœ<±±3ì T!A Õ N , =•Dè
 € z'ã . ±±A Õ N , %£ Z ±±ü - WA Õ i • F* \
 • i • ±±L 3ì T * • "i • N , 4 ± W %Y '
 m.g ∈ N g ±± • i • μ = μ_B μ₀ Ò 6 0 W
 FÜ" ' g¹ p d Ž * • N , %U' NDδ8 Z "3 ü
 - WA Õ i • F* >óg - Wd Ž * • N , E =y' N "
 » \ Ä ∈ N g!A Õ 2(• d Ž * • N , - 3ö=•Dè
 • < - 8 á

$$s_B = s_{B\beta} \mu_0 + s_{B0} \mu_0 \alpha + \dots$$

$$s_0 = s_{0\beta} \mu_0 + s_{00} \mu_0 \alpha + \dots$$

$$s_x = s_{x\beta} \mu_0 + s_{x0} \mu_0 \alpha + \dots$$

$$s_n = s_{n\beta} \mu_0 + s_{n0} \mu_0 \alpha + \dots$$

$$s = s_{\beta} \mu_0 + s_0 \mu_0 \alpha + \dots$$

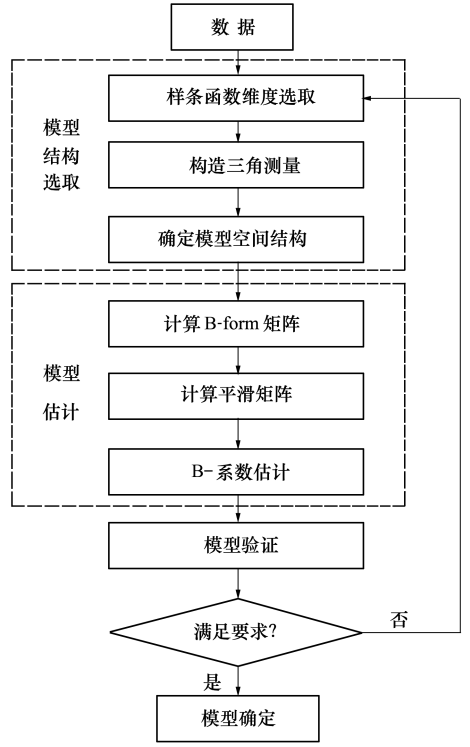
< Z "s_i 3 X & Á C_L "C_D "C_Y "C_L "C_m¹ C_n *ij μ₀ 0
 â S^{ij} μ₀ ij o g L->R] @Ë±d Ž * • N , "3 X & Á
 %œœ < Z ±±1 WA Õ i • %
 f > %œœ < " ∈ N g!A Õ 2(• N , ü E
 g 3ì T • ±± • < %, - "C_L ü E - 8 á
 C_L %œœ=

$$\begin{bmatrix} B_{B\beta}^{d_{B\beta}} \mu_0 \alpha + \dots \\ B_{B0}^{d_{B0}} \mu_0 \alpha + \dots \\ B_{\beta}^{d_{\beta}} \mu_0 \alpha + \dots \end{bmatrix} \begin{bmatrix} c_{B\beta} \\ c_{B0} \\ c_{\beta} \end{bmatrix}$$

< Z "c_{ij} g d Ž * • s_{ij} ±± > 2(• %^ ' "%œœ o < 6*
 L=•Dè' (< • 'ã . ±±A Õ È2(• N , %

ú± d Ž * • N ,] @Î

ú± d Ž * • N ,] @În/8
 d Ž * • N ,] @În/8 - + 0.m.g "h>@3 g
 x T ' OñN , 4 ±E6 &N ,] @Î&N , O'@i' N
 , -> Ç %£ Z N , 4 ±E6 ! Ò Ž ú N , ±±T6*"
 - g : o¹ Fú@®"- 7YL->@G NE6 : 9+±4! Ó &
 4 ÉE =y! D°%6 >ÿ"x Fú±±±EM K} » • > 3 0 ò
 â & > Fú¹ @ÛÄ6* È "L->@p=ŽE6 %



+ 0æd Ž * • N ,] @În/8 +

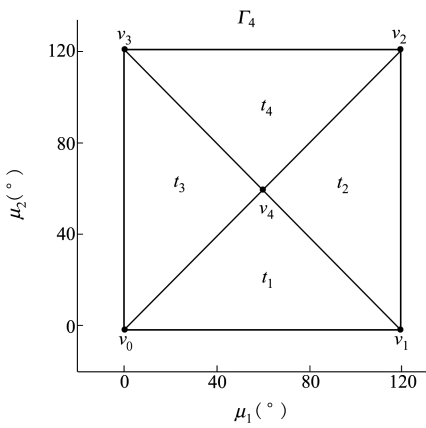
ú± N , 4 ±E6
 Bø4! ÓE6
 - 7Y' @ÛýP 4! ÓG È Í N , ±±1èÖ"s 9 #
 œG - N , Ä! Í : o "@ÛÄ! Í 5D# " ' L->@
 E6 5E/±±4! Ó%' ([BßÒA/£=•; "d r + 0
 # "d Ž * • h \ 6* L Ä] D°a ±±1è Ó%Y ' 50;~

• › ! KcE 4 " r = ! " ' J NE6 4! Ó g d = 0%

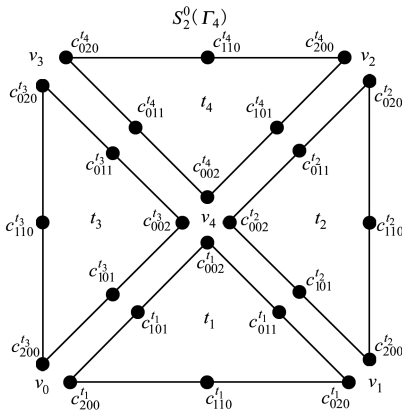
0o ± EM6 >ÿ"xFü+

6 >ÿ"xFü+±±EM! Ò ž ú N , +±1ë Ó 1 KcN %

)3 @ç @ßU • › 3 0 % Bál G+±ò â 8 " 6 >ÿ"xFü B.3ó ó 'B. æ @Ä] P 1ë Ó { KcN±±N , %s - æ L • K} » • › #1±±ó Ó " - æL • K} » @ÐÄ6* È 1 @ÐÄELÓ+±±@o "L->@4) 5 50;~ 6 >ÿ"xFü±EM% ' ([ß "ß Ö 3ó-A/£ ³ 6 >ÿ"xFü+±? 3 >ñ F % s â S 0 % Γ x o g , " 6 >ÿ"xFü¹ >K•đ ž D 3 X - + 1 + x m.g %



+ æ6 >ÿ"xFü%Γ_x o



+ xœ >K•đ ž D %œâ S 0 %Γ_x oo

o -> Ç N , /ŠK!4 ±

*^ %oo < 1 %B@ < Ä + x m.g >K•đ ž D ± ±

d Ž * • N , 4 ± g â

s %o o = δ_ß %o Q' t_ß %o o + δ_o %o Q' t_o %o o +

œß %o Q' t_o %o o + δ_x %o Q' t_x %o o =

œß %o Q' t_ß %o o + δ_o %o Q' t_o %o o +

œß %o Q' t_o %o o + δ_x %o Q' t_x %o o = %o! o

œœ*^ %B o < Ä κ + ± ž D g â

κ â x %0 " ! " ! o " %ß " ! o " %ß " ! ß o " %ß " 0 " ! o "

œ %ß " ! o " %ß " ! o " 0 o W %oß o

œœ*^ %ß o < Ä >ℤ (• c^j g â

c^j = [c^j_01, c^j_ßß, c^j_ßß, c^j_01, c^j_ßß, c^j_10] %o o o

œœ*^ %ß o < Ä ü - W 6 >ÿ+±' Y GM! < - Fü

ü E - 8 â

B^0 %ß oo =

œ B^0 %ß oo œ B^0 %ß oo œ B^0 %ß oo œ B^0 %ß oo œ

œß^0 %ß oo œß^0 %ß oo œß^0 %ß oo œß^0 %ß oo Ò =

œ b^0 œß_ß œß_ß œß_ß œß_ß œß_ß œß_ß œß_ß œß_ß

*^ %ß o < Ä >ℤ (• ± ± • m- Fü c g â

c = [c^t_ß, c^t_o, c^t_ß, c^t_x] %o x o

œœ*^ %ß o < Ä ' Y GM! < ± ± • m- Fü g â

B^0 %ß oo =

[B^0 %ß oo B^0 %ß oo B^0 %ß oo B^0 %ß oo]

%o " o

úžž N ,] @î

ß o @ÐÄ >K•đ - Kb

*^ + - 1 M%æ 4 â v_1 = %ß " ! o v_ß =

$$\begin{pmatrix} 0 \\ - \end{pmatrix} v_0 = \begin{pmatrix} 0 & 0 \\ - & - \end{pmatrix} v = \begin{pmatrix} ! \\ 0 \end{pmatrix} v_x =$$

$$\begin{pmatrix} - \\ - \end{pmatrix} %6 >ÿ • g \quad 3 X g â_ß = f v_1 \quad v_ß \quad v_x \acute{I} t_o$$

$$= f v_ß \quad v_o \quad v_x \acute{I} t = f v_1 \quad v \quad v_x \acute{I} t_x =$$

$$f v_o \quad v \quad v_x \acute{I} %^{\wedge} %o o 1 %x o < æ @Ä] ü W 6 >ÿ$$

$$• g \quad 2 (- %æ = %o_ß \mu_o o + ± BUð } 4 b %o o = %o_1 \mu_ß \mu_o o %$$

$$*^ %ß o < Ä ü W , • ± ± ž T • N , g â$$

$$\begin{bmatrix} y^{t_j} %ß o \\ y^{t_j} %ß o \\ \acute{E} \\ y^{t_j} %ß o \end{bmatrix} = \begin{bmatrix} B^0 %ß oo \\ B^0 %ß oo \\ \acute{E} \\ B^0 %ß oo \end{bmatrix} c^{t_j} + \epsilon_{N_j \times \beta} %o o$$

< Z " N_j g ü W , • ± ± › 3ñ • %7 < AE = 4 ó • < - 8 â

$$Y^{t_j} = X^{t_j} c^{t_j} + \epsilon_{N_j \times \beta} \hat{a} t^{N_j \times \beta} %o @$$

» \ Ä] d Ž * • /ŠK!² m 6 • › ± ± ž T • N , - 8 â

$$\begin{bmatrix} Y'^B \\ Y'^0 \\ Y' \\ Y'^x \end{bmatrix} = \begin{bmatrix} X'^B & ! & ! & ! \\ ! & X'^0 & ! & ! \\ ! & ! & X' & ! \\ ! & ! & ! & X'^x \end{bmatrix} \begin{bmatrix} c'^B \\ c'^0 \\ c' \\ c'^x \end{bmatrix} + \epsilon_{N \times B} \% 0$$

æœ7 ' "Ä] ³ • - %00o<+±3i T • N , " »
 \ Ä] >K•q - KbX %
 0o @DÄ #p- Kb

æ @Ä] s â S'0% x o+±E 4 Ž # æ/8 - 8 å

$$c'_{10!} = c'_{0!} + t'_{1B} = c'_{0B} + t'_{10} = c'_{10} +$$

$$c'_{0!} = c'_{0!} + t'_{1B} = c'_{0B} + t'_{10} = c'_{10} +$$

$$c'_{10!} = c'_{0!} + t'_{1B} = c'_{0B} + t'_{10} = c'_{10} +$$

$$c'_{10!} = c'_{10!} + t'_{1B} = c'_{1B}$$

æœ » \ Ä #p- Kbå

$$H = \begin{bmatrix} ! & ! & ! & - \beta & ! & ! & \beta & ! & ! & ! & ! & ! & ! & ! & ! & ! & ! & ! & ! & ! & ! \\ ! & ! & ! & ! & - \beta & ! & ! & ! & \beta & ! & ! & ! & ! & ! & ! & ! & ! & ! & ! & ! & ! \\ ! & ! & ! & ! & ! & - \beta & ! & ! & ! & ! & ! & ! & ! & ! & ! & ! & ! & ! & ! & ! & ! \\ - \beta & ! & ! & ! & ! & ! & ! & ! & ! & ! & ! & \beta & ! & ! & ! & ! & ! & ! & ! & ! & ! \\ ! & ! & - \beta & ! & ! & ! & ! & ! & ! & ! & ! & ! & \beta & ! & ! & ! & ! & ! & ! & ! & ! \\ ! & ! & ! & ! & ! & - \beta & ! & ! & ! & ! & ! & ! & ! & \beta & ! & ! & ! & ! & ! & ! & ! \\ ! & ! & ! & ! & ! & ! & ! & ! & ! & - \beta & ! & ! & ! & ! & ! & ! & ! & ! & ! & ! & ! \\ ! & ! & ! & ! & ! & ! & ! & ! & ! & ! & - \beta & ! & ! & ! & ! & ! & ! & ! & ! & ! & \beta \\ ! & ! & ! & ! & ! & ! & ! & ! & ! & ! & ! & ! & ! & - \beta & ! & ! & ! & ! & ! & ! & \beta \\ ! & ! & ! & ! & ! & ! & ! & ! & ! & ! & ! & ! & ! & ! & - \beta & ! & ! & ! & ! & ! & \beta \end{bmatrix}$$

æœ o >K(•] @î
 f > %00o<+±3i T • N , " *U- < 1 ...
] @îæ"] @î>K(• å

$$]_c = \frac{\beta}{0} \% - Xc o \% - Xc o \quad \%x! o$$

æœ4 Ç3ÓÉŽ # Hc = " Ä] - < 1 ...] @î
 =•Dë< å

$$\begin{bmatrix} \hat{c} \\ \hat{\lambda} \end{bmatrix} = \begin{bmatrix} X & X & H \\ H \end{bmatrix}^+ \begin{bmatrix} X & Y \\ X & Y \end{bmatrix} = \begin{bmatrix} C_B & C_0 \\ C & C_x \end{bmatrix} \begin{bmatrix} X & Y \\ X & Y \end{bmatrix}$$

æœ *^ 8 < @DÄ' >K(• å
 ê = C_B X Y

æœ, - " ' • > Ä " C_{mde} %_B " μ₀ o â S'0% x o+±
 >K(•] @î É - 8 å
 ê = -

$$\begin{bmatrix} ! \textcircled{R} & ! !! & ! \textcircled{R} & ! !x & ! \textcircled{R} " & ! \textcircled{R} - \\ ! !x & ! \beta & ! \textcircled{R} " & ! x! & ! \beta \beta & ! \textcircled{R} - \\ ! \textcircled{R} & ! !! & ! \textcircled{R} & ! !x & ! \textcircled{R} " & ! \textcircled{R} - \\ ! x! & ! \beta & ! \beta \beta & ! !x & ! \textcircled{R} " & ! \textcircled{R} \textcircled{e} \end{bmatrix}$$

¼ - 3õ N , 4 ± -> Ç

½Ö N , O'@î

BoA 3 ½)3 @ç
 X_{uu} gL->@Dî±± > K65 "=•.g g

$$X_{uu} = \sum_{i=B}^N x_i \quad \%x o$$

æœËKrDÄ' ;] @îi x " , ε %_{uu} o g

$$\epsilon \%_{uu} = C \%_{uu} - s'_d \%_{uu} \quad \%xxo$$

æœ, t æf • Xiε g

$$\bullet Xiε = \sqrt{\frac{\beta}{N} \textcircled{R} \%_{0} \%_{q} o o^0} \quad \%x" o$$

æœ%& , t æf • Xi_eε g

$$\bullet Xi_{e} \epsilon = \frac{\bullet Xi_{\epsilon}}{|] UC \%_{uu} o q] = C \%_{uu} o |} \quad \%x o$$

æœ- T,%& , ε_{rel}] u g

$$\epsilon_{e] u} = \frac{] u | \epsilon \%_{uu} o |}{|] UC \%_{uu} o q] = C \%_{uu} o |} \quad \%x \textcircled{R}$$

æœ0o @DÄ' É 3 ½

C_{mde} %_B " μ₀ o g , " @DÄÄ ' , 1, % i
 >î =• 0%

$$= \# \ddagger C_{mde} \mu_0 \nu \# d \& \hat{A} \pm, i$$

d	• Xiε	• Xi _e ε	ε _{e] u}
0	! Ž!	! Ž00	! Ž x
	! Ž!	! Ž β	! Ž x
x	! Ž!"	! Ž βx	! Ž
"	! Ž β0	! Ž	! Ž"

œœ^=• 0 - "d = 0#", t æf • Xi_ε 3ü
 \$ Bäl-lo "£ A €4! Ó È Í # "d Ž * • N, T6* £
 !Î 6 Ä] T r ± ± ý t " ' E6Ç4! Ó d = 0"- 3õ-
 Ç d Ž * • N, g C_{mðe} %_B "μ₀ o â S₀ %₀ x o +9 #
 ,8' d = "#", 1M!4 4 t È T" d Ž * •
 N, T6* 8Kz" ' , 3Ü È Í 4! Ó 6* GKz{ N,
 î BU%

½ž† -> Ç - 3õ N,
 N, - 3õ- Ç È > 8 Ž ' Y ó F â
 ß o ! ! ß < • Xi_ε < ! ! " # " N, î BU ó g
 5E/ +

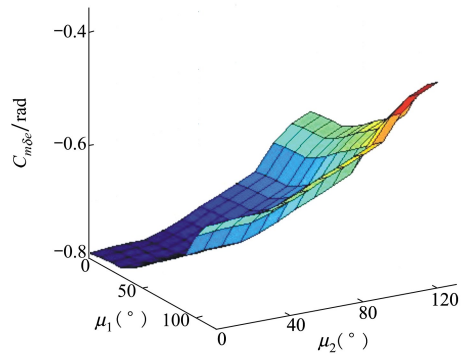
0o • Xi_ε < ! ! ß # " N, î BU ó g E / " : °
 ý P 4! Ó +
 o ò ∈ ý P 4! Ó 6 k 9, ± ± î BU ý t # z E 6
 ! P ± ± 4! Ó %

m6!A Õ ï • ± ± - 3õ] @ ð È - 8 â
 C_{L1} %_B "μ₀ o â S_x %₀ x o + C_{Lα} %_B "μ₀ o â S₀ %₀ x o +
 C_{D1} %_B "μ₀ o â S₀ %₀ x o + C_{di} %_B "μ₀ o â S₀ %₀ x o +
 C_{Yβ} %_B "μ₀ o â S₀ %₀ x o + C_{Yur} %_B "μ₀ o â S₀ %₀ x o +
 C_{Iβ} %_B "μ₀ o â S₁ %₀ x o + C_{Iδa} %_B "μ₀ o â S₀ %₀ x o +
 C_{Iδr} %_B "μ₀ o â S₁ %₀ x o + C_{Iβ%} %_B "μ₀ o â S₁ %₀ x o +
 C_{Ir%} %_B "μ₀ o â S_x %₀ x o + C_{Iur} %_B "μ₀ o â S₀ %₀ x o +
 C_{m1} %_B "μ₀ o â S_x %₀ x o + C_{mα} %_B "μ₀ o â S_x %₀ x o +
 C_{mðe} %_B "μ₀ o â S₀ %₀ x o + C_{mγ%} %_B "μ₀ o â S_x %₀ x o +
 C_{mα} %_B "μ₀ o â S_x %₀ x o + C_{nβ} %_B "μ₀ o â S_x %₀ x o +
 C_{nδa} %_B "μ₀ o â S₁ %₀ x o + C_{nγ%} %_B "μ₀ o â S_x %₀ x o +
 C_{nur%} %_B "μ₀ o â S₁ %₀ x o + C_{nur} %_B "μ₀ o â S₀ %₀ x o

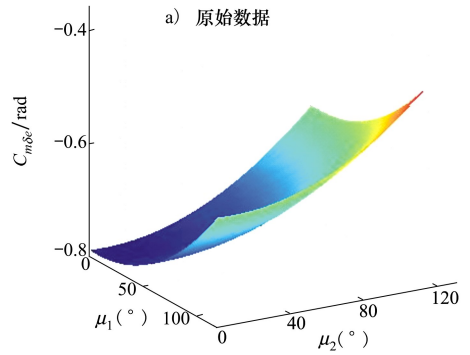
-> Ç ± ± N, A 3 ¼ 4 È - =• mg %
 =• ú ž N, A 3 ¼ 4 È

ï •	• Xi _ε	ï •	• Xi _ε
C _{L1}	! ! xx 0x	C _{Lα}	! ! ß ! "
C _{D1}	! ! ! "	C _{di}	! ! !
C _{Yβ}	! ! ß 0	C _{Yur}	! ! ! "
C _{Iβ}	! ! ! ®	C _{Iδa}	! ! ! ®®
C _{Iδr}	! ! xx	C _{Iβ%}	! ! ! !
C _{Ir%}	! ! ß 0®	C _{Iur}	! ! ! ®!
C _{m1}	! ! ß x	C _{mα}	! ! xx !
C _{mðe}	! ! 00 0!	C _{mγ%}	! ! ß ß
C _{mα}	! ! ß ß 0	C _{nβ}	! ! ß !
C _{nδa}	! ! ! 0	C _{nγ%}	! ! ! !
C _{nur%}	! ! ! ß	C _{nur}	! ! ! "

C_{mðe} 5 • > + g - 8 â



a) 原始数据



b) 拟合数据

+ "œ 5 • > %_B "μ₀ o â S₀ %₀ x o o ; ì ø • > &!

½ž† h ∈ } 42(Z ± ± = Dè <
 z L • Ä] ± ± N, \ UBUð } 42(Z ü E "BUð
 } 42(g m F } 42(" ' L - > ®™] ü E N g
 È ò â 1 Dý Õ ! T ± ± h ∈ } 42(Z % 3 BUð } 4
 b %₀ = %₀ "b_B "b₀ o 1 > 2(• ± ±] @ î ' %_B <
 Ä h ∈ } 42(Z ± ± GM! < ü E • < â
 , - "C_{mðe} %_B "μ₀ o â S₀ %₀ x o GM! < ü E - 8 â
 p^{ij} %_B "μ₀ o = a_{j1} + a_j μ_B + a_j μ₀ + a_j μ_B μ₀ +
 œ_{ij} μ_B⁰ + a_j μ₀⁰ j = ß" 0" " x %_x o
 œœ & Á 1 ï • i > î =• x%

